

For Product Step File or 3D Model Send a Request Mail To info@nrack.com

Photo View

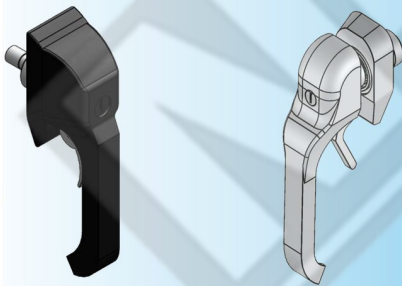


NY 1323



NY 1323 SS

3D Rendered View

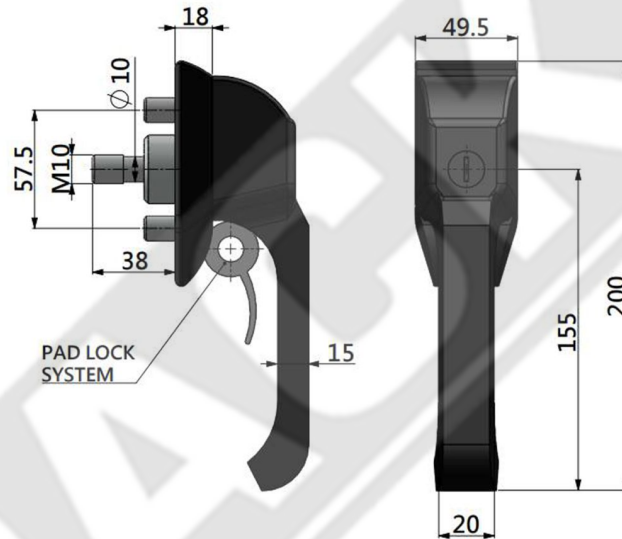


NY 1323

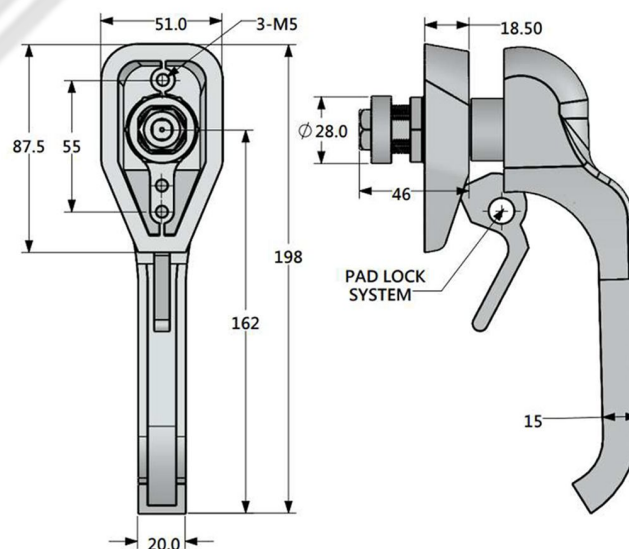
- Material: Zinc Die Casting
- Finish: Black Chrome Plating

Available on Stainless Steel
on Request

NY1323



NY1323 SS



NOTE: Available in with and without pad lockable
MATERIAL: Stainless Steel